

RAM PROMASTER CITY

Carry everything you need everywhere you need to go

Transport more tools, keep productivity high and lower the risk of injuries and worker compensation claims by installing the right ladder-rack solution on your Ram ProMaster City.

Prime Design's ergonomic, patented and award-winning solutions have helped business owners around the world eliminate or reduce the costs, stress and business pressures caused by work-related injuries.



Maximize the safety and carrying capacity of your Ram ProMaster City with an ErgoRack.



Easy to use – deploys with only 2 fingers.



Maintain vehicle warranty and resale value with no holes to drill.



Eliminates slip and fall hazards from climbing on bumper or tire.



Control ladder deployment with adjustable hydraulic cylinder.



Improve productivity – Deploy or stow in less than 20 seconds.



Winner of ergonomic awards in USA, France, Germany and Australia.



Search term "Ram ProMaster City ErgoRack" to find more information.



ErgoRack®



Images shown are for illustrative purposes only. Actual colors, finishes, and/or vehicle mounting hardware may vary depending on the vehicle and product model selected

VBB-PC11
BASE WITH
END STOPS



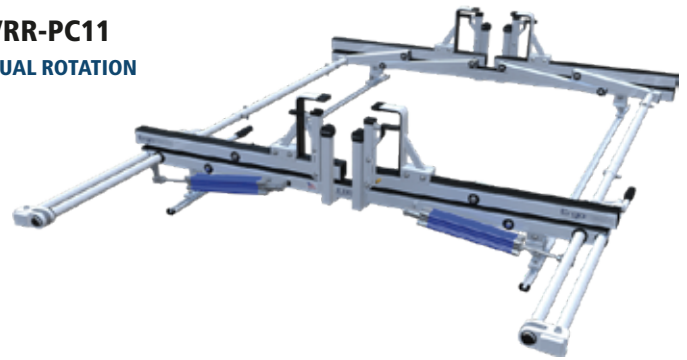
VCC-PC11
DUAL CLAMP



VCR-PC11
CLAMP / ROTATION



VRR-PC11
DUAL ROTATION



COMPLETE RACKS	VEHICLE WHEELBASE	VEHICLE HEIGHT	STREET SIDE FEATURE	CURB SIDE FEATURE	SHIPPING WEIGHT
VBB-PC11	122 IN	74 IN	End Stop	End Stop	27 lbs
VBC-PC11 VCB-PC11	122 IN	74 IN	End Stop Clamp	Clamp End Stop	42 lbs
VBR-PC11 VRB-PC11	122 IN	74 IN	End Stop Rotation	Rotation End Stop	69 lbs
VCC-PC11	122 IN	74 IN	Clamp	Clamp	57 lbs
VCR-PC11 VRC-PC11	122 IN	74 IN	Clamp Rotation	Rotation Clamp	84 lbs
VRR-PC11	122 IN	74 IN	Rotation	Rotation	112 lbs

Notes:
 Crossbars can be spaced at five or six feet.
 Contact Prime Design customer service for application specific questions.
 Check the vehicle manufacturer's recommendation for roof capacity weight limits.
 A wide range of accessories are available including conduit carriers, lighting mounts, and more.

Van Crossbar Spacing and Ladder Size Guide

CROSSBAR SPACING	STEP LADDER SIZE	EXTENSION LADDER SIZE
5 ft Spacing	8 – 10 ft.	16 – 24 ft.
6 ft Spacing	8 – 12 ft. [†]	16 – 28 ft.

[†]12 ft. step ladders may require an extended upper add-on component.

ML-7.2-4061 / Rev D / 05-30-2019